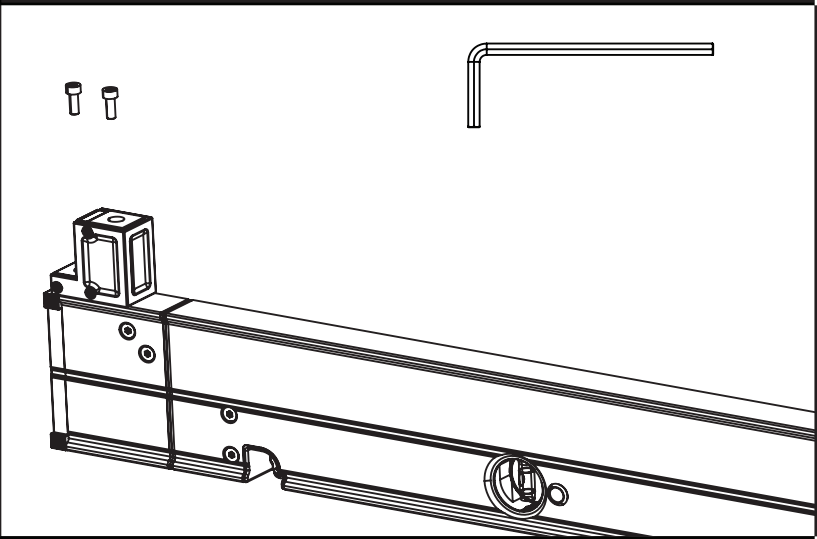
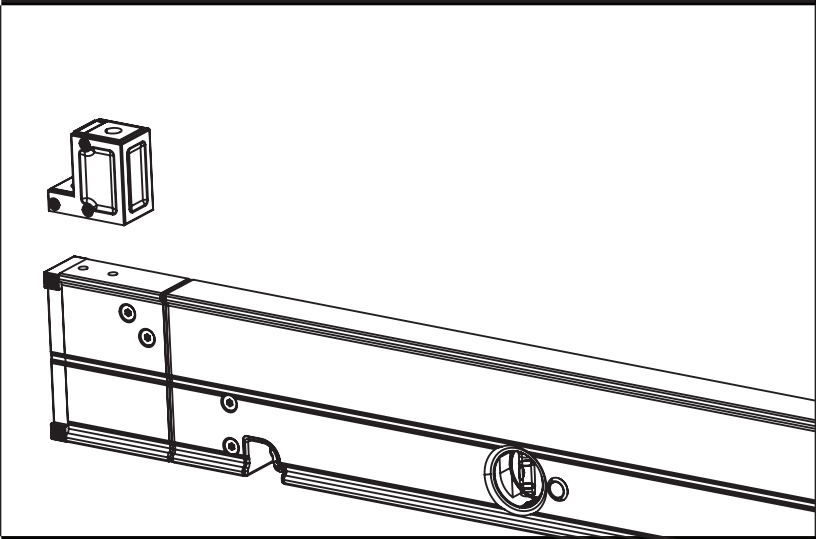


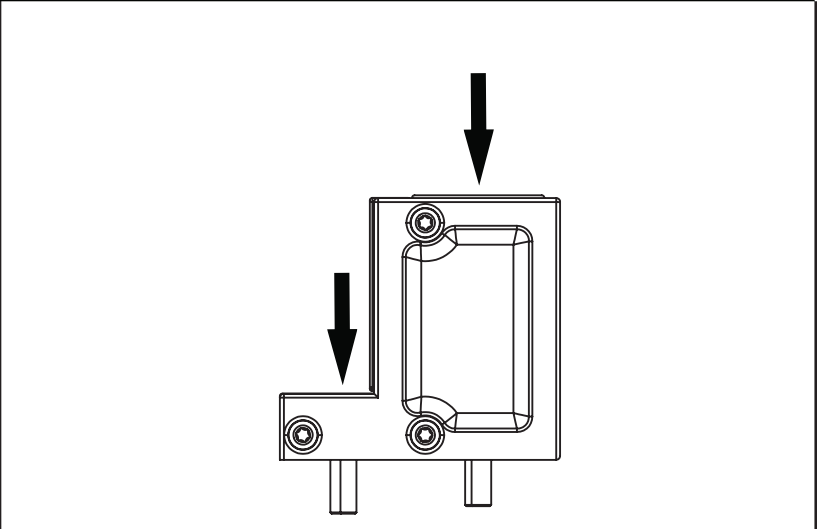
1 Remove 2 bolts with provided Allen Key



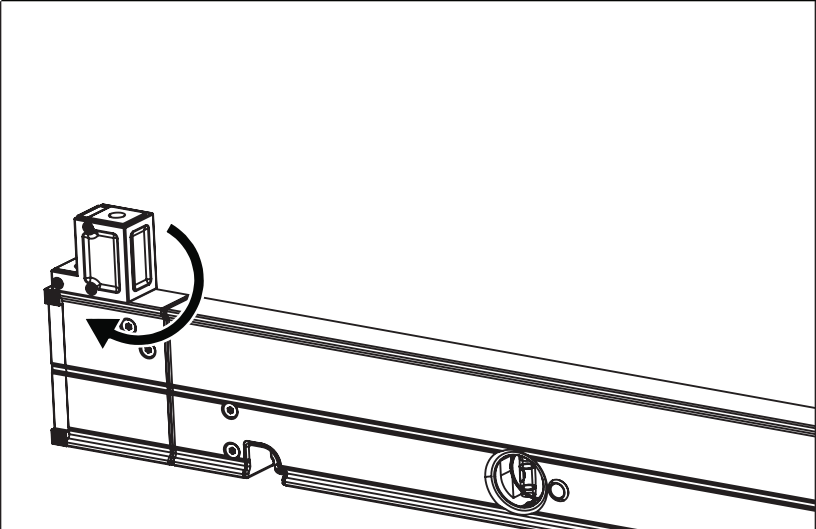
2 Remove Stand Off



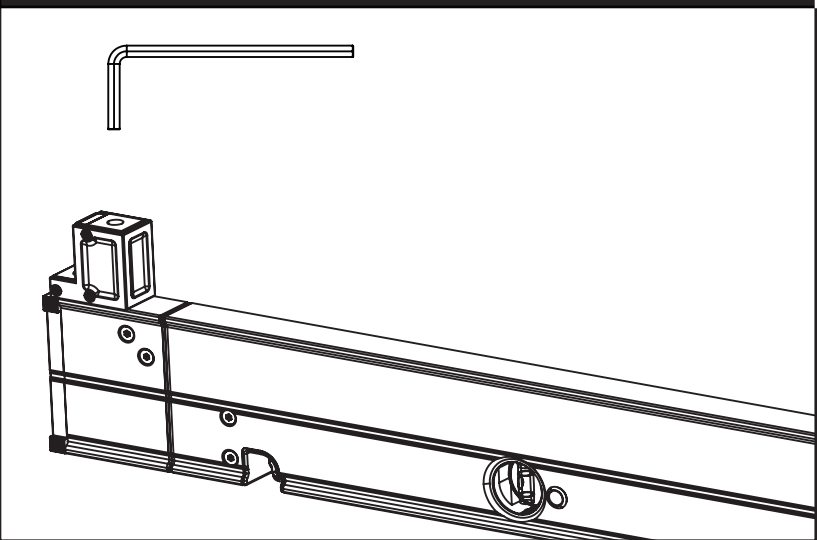
3 Place bolts into new Stand Off Body



4 Align Stand Off to ensure it is square



5 Tighten bolts into Level Body



6 Repeat for other side of Level

